

The Veritas® Steel Honing Plate is used with abrasive paste\* to produce sharp edges on woodworking tools, such as plane blades and chisels. It is particularly effective for honing blades made from harder, more advanced alloy tool steels.

The plate is made from mild steel so that hard carbide or diamond abrasives can embed into the plates. The working surface of the plate is surface ground flat to within 0.005".

*\*Note: The hard abrasive particles embed into the plate during use and will often remain after wiping away excess paste. It is possible to add a coarser paste to a previously used plate, but not a finer one.*

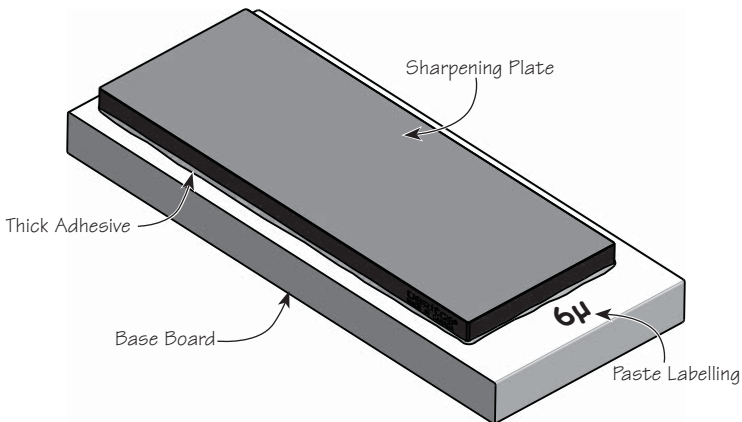
### Bonding the Plate to a Base

The plate can be used as delivered; however, bonding it to a piece of 1/2" to 3/4" thick plywood (for example) will provide a secure honing station.

A base made like a bench hook or with strips of sandpaper or non-slip liner underneath it will keep the base in place while in use.

To keep the plate flat, bond it to the base using a thick, gap-filling adhesive, such as epoxy or construction adhesive. Clearly label the plate with the abrasive compound used to avoid contamination.

**Tip:** It is best to use a separate plate for each abrasive compound to ensure there is no cross-contamination between abrasive pastes.

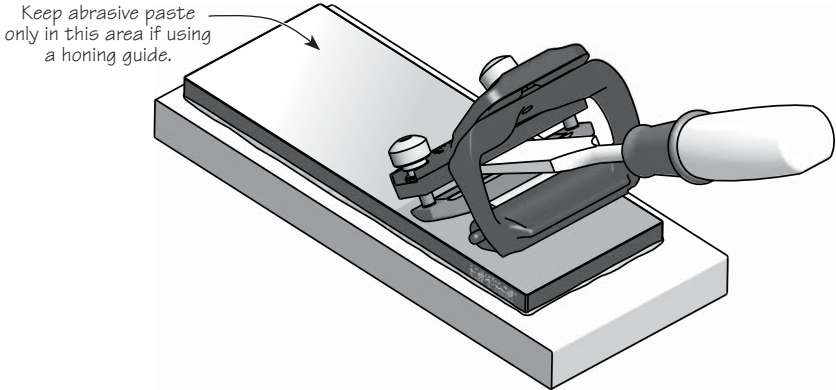


**Figure 1: Plate attached to a base.**

## How to Use the Plate

Charge the plate with an abrasive paste, then hone as you would when using sharpening stones. For uniform wear, take care to make use of the entire surface. Be sure to wipe all excess abrasive off the blade, especially if you are proceeding to a finer grit on another plate.

**Tip:** *If you will be using a honing guide, charge only the top two-thirds of the plate to provide an abrasive-free area for the roller. This precaution will reduce unnecessary wear on the brass roller.*



**Figure 2:** Using a honing guide.

## Storage and Maintenance

After each use, wipe the excess abrasive off the plate.

Since abrasive pastes usually contain corrosion-preventing materials, these should sufficiently protect the plate when not in use. However, you can apply a light coat of fine oil or silicone-free wax for further rust protection.

Store the plate in a dust-free location, covered or in a suitable container.

Recharge the plate with abrasive compound as required.

---

**veritas**® Tools Inc.

814 Proctor Avenue      1090 Morrison Drive  
Ogdensburg NY 13669-2205      Ottawa ON K2H 1C2  
United States      Canada

customerservice@veritastools.com  
[www.veritastools.com](http://www.veritastools.com)